

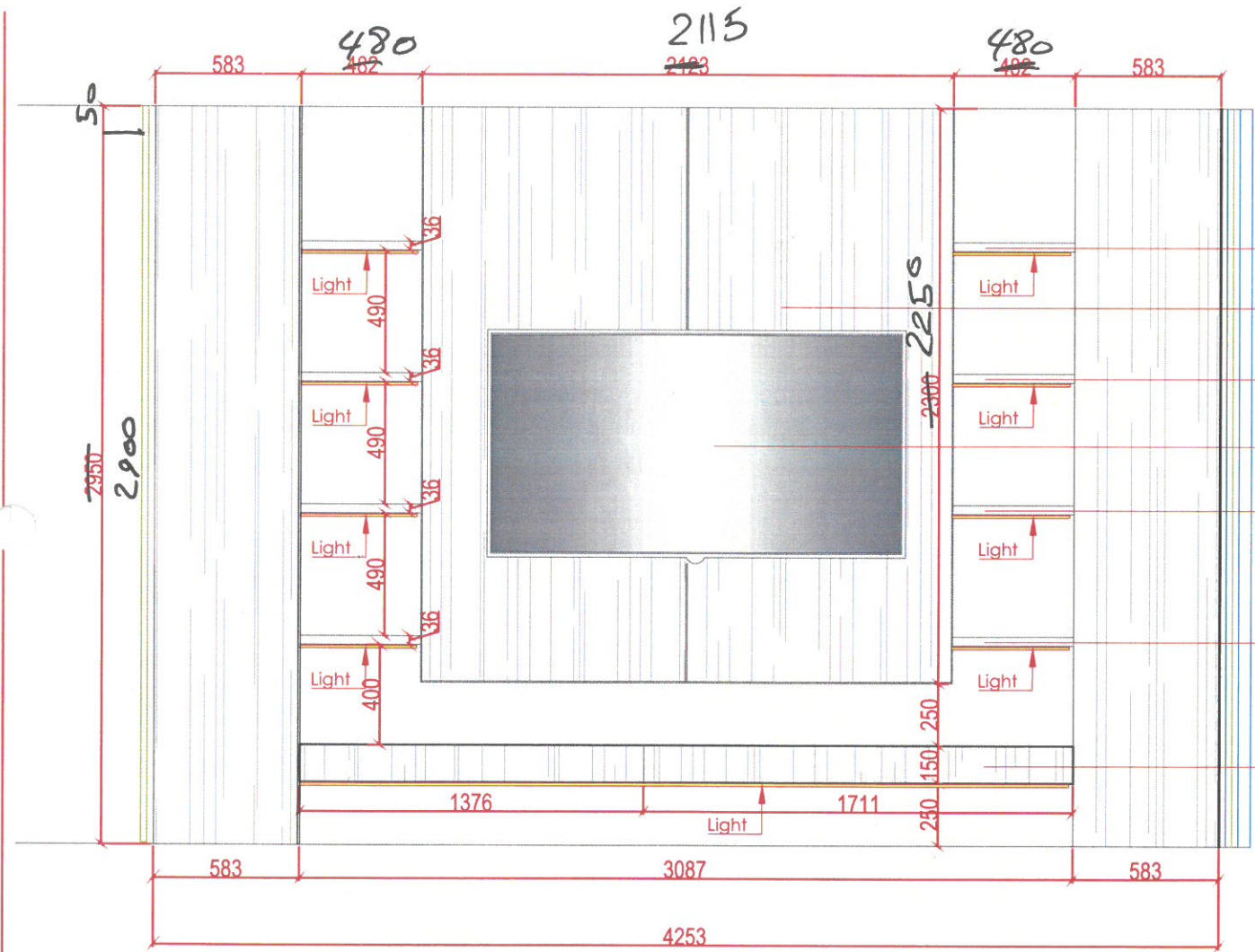
9-SEATS  
**Conference Room 2**  
 TV WALL WITH SIDEBOARD

3rd Floor

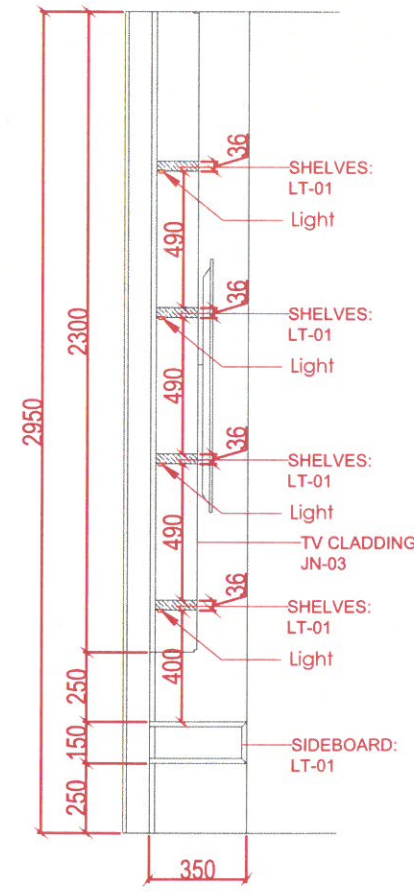
TV CLADDING: JN-03  
 SHELVES: LT-01  
 SIDEBOARD: LT-01




Ref. Image




LED LIGHT



**FINISHES**

JN-03 

LT-01 



www.wood-styles.com

Copyright of designs shown herein is retained by this office. Authority is required for any reproduction. © Copyright Wood-styles Ltd.

Nigeria, Lagos +234 80 9037 9888  
 Email: info@wood-styles.com



Owner: ---

Date	Description
DSD-V1-ID-27/1/2025 - REV1	
DSD-V1-ID-4/2/2025 - REV2	



FOR APPROVAL

Project No. : ---  
 Scale : N/A  
 Drawn by : OBJ  
 Checked : OBJ  
 Cad File : CAD\_FILE

Sheet title  
 3rd FLOOR  
 Conference Room 2  
 TV WALL WITH SIDEBOARD  
 Plan, Elevation and side view

Dwg No. : WS-DS-SD-ND-059  
 No. : SHEET 1